

Recessed LED Troffer 2x2 and 2x4 Series



K2X2TR-IND-4000

General Description

The KTR series has been designed as a completely assembled fixture. It is designed to replace fluorescent light fixtures. The KTR series is designed to have even illumination from end to end.

Features and Benefits

- Low overall height allows for installation in tight applications.
- Glare-free polycarbonate lens is removable for ease of cleaning.
- Available in both 2x2 and 2x4 configurations, as well as 2 CCT options (3500K and 4000K).

Regulatory Compliance

- cETLus
- DLC 4.2 QPL as premium
- Damp location rated
- Type IC applications
- LED light engine, UR and UL components
- RoHS compliant
- Five year warranty

Application

Suitable for interior applications including; office, hotel, education, healthcare, and retail environments.



For the most current listing of DLC Qualified Products, please visit the DLC website www.designlights.org

Date	
Catalog Number	
Project	
Prepared by	
Type	
Comments	

Specification Features

2x2

Length 23.80"
Width 23.80"
Height 2.70"
Weight 6.7 lbs

2x4

Length 47.80"
Width 23.80"
Height 2.70"
Weight 12.5 lbs

Housing

White cold rolled steel

Lens

Frosted polycarbonate

Finish

Post painted matte white with minimum 90% reflectivity

Mounting

Installs in standard NEMA 15/16" Type G or NFG T-Grid systems

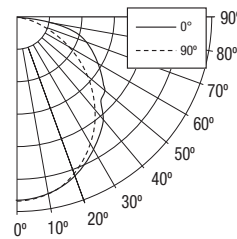
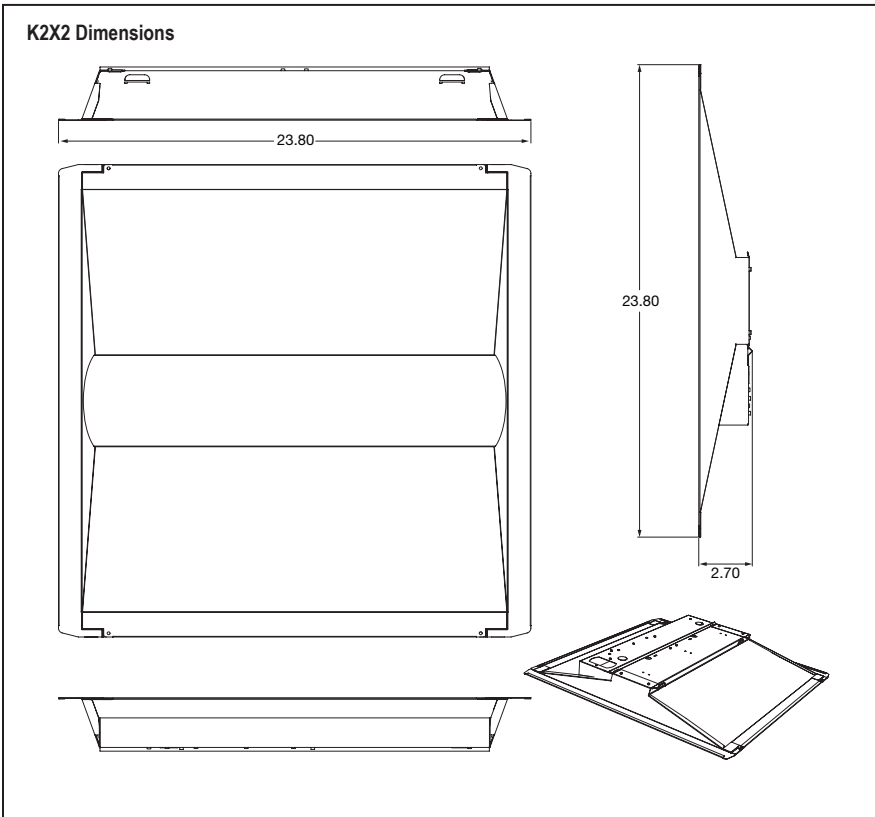
Light Source 2x2

19" A.L.P. Module 126 LEDs
25w Universal (120-277Vac)
A.L.P. Driver
Class II, 0-10 v dimming

Light Source 2x4

44" A.L.P. Module 200 LEDs
36w Universal (120-277Vac)
A.L.P. Driver
Class II, 0-10 v dimming

Recessed LED Troffer 2x2 and 2x4 Series

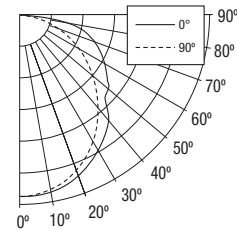
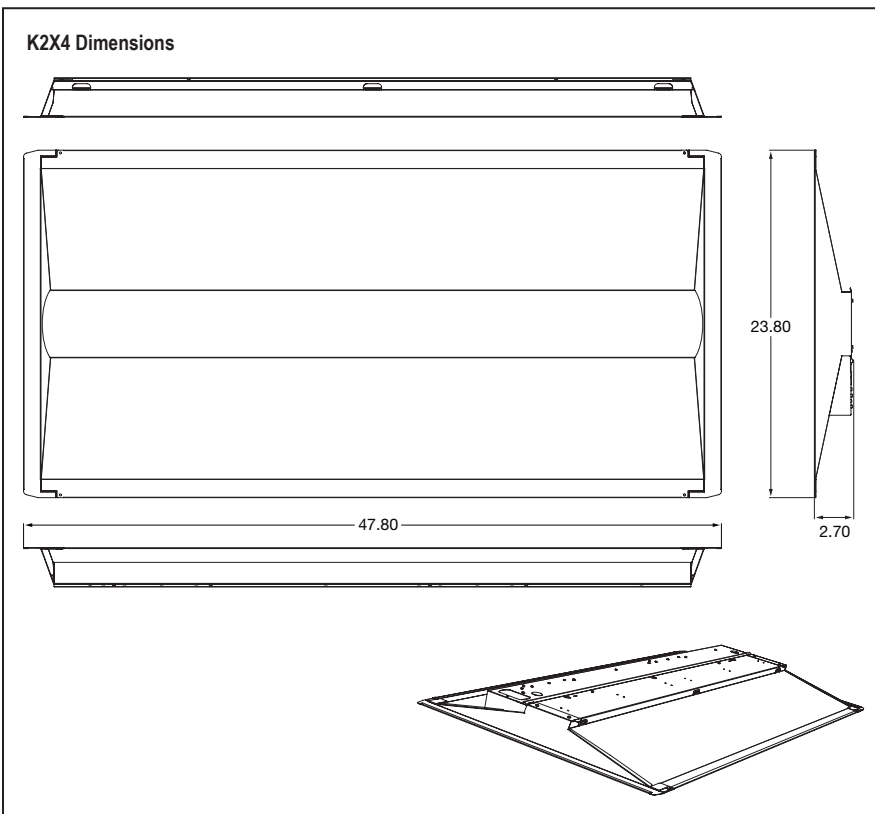


Report Number:
17030960HKG-003
Test Date: 03/21/17
Product Number:
K2X2
Lumens: 3318
Watts: 26.2
Luimens Per Watt: 126.6
CRI: 83.8
CCT: 4029K

Vertical Angle	Horizontal Angle			Zonal Lumens
	0°	45°	90°	
0°	1131	1114	1137	
5°	1124	1112	1128	106.6
15°	1078	2060	1073	303.8
25°	998	966	960	455.0
35°	890	839	827	540.8
45°	727	675	652	550.5
55°	641	543	474	506.2
65°	519	409	303	419.3
75°	381	281	141	295.3
85°	107	90	25	108.3
90°	4	4	4	100.0

Zonal Lumen Summary		
Zone	Lumens	%Fixt
0-30	865.5	26.1
0-40	1406.2	42.4
0-60	2463.0	74.2
0-90	3285.9	99.0
0-180	3318	100.0

Spacing Criteria
0-180 1.22
90-270 1.28
DIA 1.34



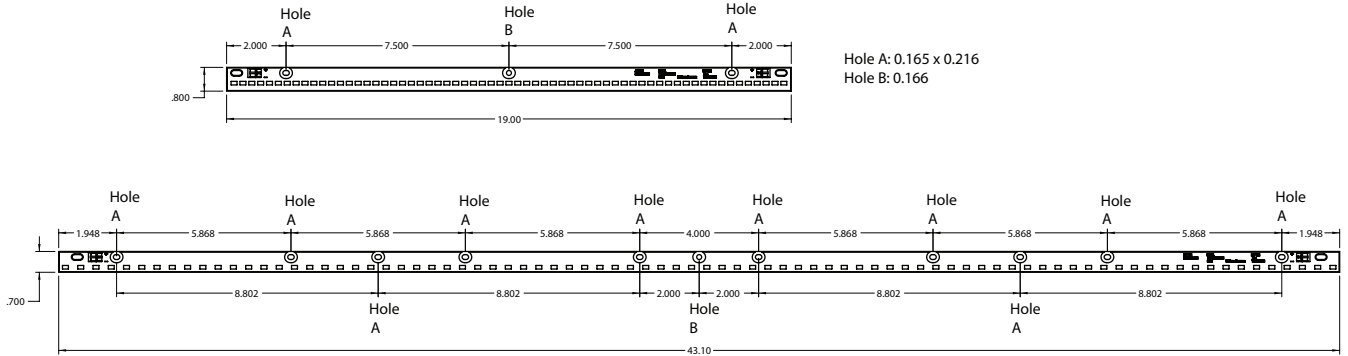
Report Number:
17030960HKG-001
Test Date: 03/21/17
Product Number:
K2X4
Lumens: 4892.7
Watts: 38.3
Luimens Per Watt: 127.7
CRI: 84.0
CCT: 4025K
Spacing Criteria: 1.22

Vertical Angle	Horizontal Angle			Zonal Lumens
	0°	45°	90°	
0°	1628	1623	1632	
5°	1627	1613	1621	153.4
15°	1577	1556	1544	437.1
25°	1471	1442	1399	656.3
35°	1320	1265	1206	782.8
45°	1068	1001	954	806.6
55°	958	835	720	745.1
65°	792	640	470	623.1
75°	601	466	229	451.3
85°	252	211	43	185.7
90°	39	17	6	

Zonal Lumen Summary		
Zone	Lumens	%Fixt
0-30	1246.7	25.5
0-40	2029.5	41.5
0-60	3581.1	73.2
0-90	4841.1	98.9
0-180	4892.7	100.0

Spacing Criteria
0-180 1.22
90-270 1.26
DIA 1.36

LED Module Dimensions



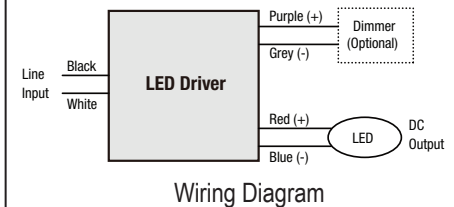
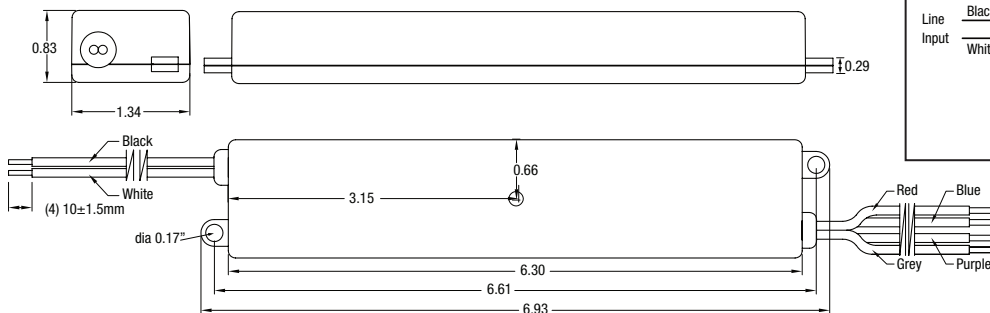
UR Recognized E 243157

LED Modules

Part Number	LED Qty	Luminous Flux (lm)	Total Power (W)	Input Voltage (V)	Input Current (mA)	Efficacy (lm/W)	CRI	CCT (K)	Lifetime (hrs)
ALED-63-xxK* (two boards)	126 (63 per board)	3,326	25	28	900	130	80	4000	50,000
ALED-100-xxK* (two boards)	200 (100 per board)	4,890	36	30	1200	130	80	4000	50,000

Note: *Options for xx are 35 for 3500 CCT and 40 for 4000 CCT.

LED Driver Dimensions



UL Listed
E 463109

LED Drivers

Part Number	Output [W]	Output [V]	Output Current	Input [Vac]	Dim Method	OCV	THD	Efficiency 120V (Typ.)	Efficiency 240V (Typ.)	Efficiency 277V (Typ.)	L [inch]	M [inch]
ADR25W900UG0	25	14-28	900mA	120-277	0-10V	42V	<20%	85	84	84	6.93	6.61
ADR36W1200UG0	36	15-30	1200mA	120-277	0-10V	35V	<20%	85	85	85	6.93	6.61

LED Light Source and Luminaire Specifications

	K2X2	K2X4
LED Fixture	K2X2TR-IND-4000	K2X4TR-IND-4000
Input Wattage	26.2	38.3
Delivered Lumens (lms)	3326	4890
Efficacy (LpW)	126.8	127.6
Color Rendering Index (CRI)	83.8	84
Color Temperature (CCT) k	4000	4000
Minimum Ambient Temp (°F)	-40C	-40C
Maximum Ambient Temp (°F)	60C	60C
Dimming	0-10V	0-10V
THD	9.07	9.07
Power Factor	.994	.994
Rated Life (L70)	50,000 hrs	50,000 hrs
Warranty	5 Years	5 Years
Voltage (V)	120-277V	120-277V
Operating Frequency (Hz)	50/60	50/60
ETL	Listed	Listed
DLC 4.2	Premium	Premium
FCC	Compliant	Compliant

Compatible dimmers

Manufacturer	Product	Part Number	Dimmed Light Output Range	Qty per Fixture
Lutron	DIVA 0-10V Control, Single Pole Preset	DVTV	100%-10%	1-5
Lutron	DIVA 0-10V Control / 3-way, Single Pole, Preset	DVSTV	100%-10%	1-5
Lutron	DIVA 0-10V Control, Single Pole, Preset	DVSCTV	100%-10%	1-5
Lutron	DIVA 0-10V control / 3-way, Single Pole, Preset	DVSCSTV	100%-10%	1-5
Leviton	Dimmer for 0-10V supplies, no LED indicator	IP710-LFZ	100%-10%	1-5
Leviton	Dimmer for Mark 7 0-10V with LED indicator	IP710-DLX	100%-10%	1-5